

TOUR LIFT GF 1000 kg

VARIABLE SPEED



SHOWSDT
Scene Design & Technology

AUTOMATION

TOUR LIFT GF 1000 kg

SB8-3 10V

VARIABLE SPEED SERIES

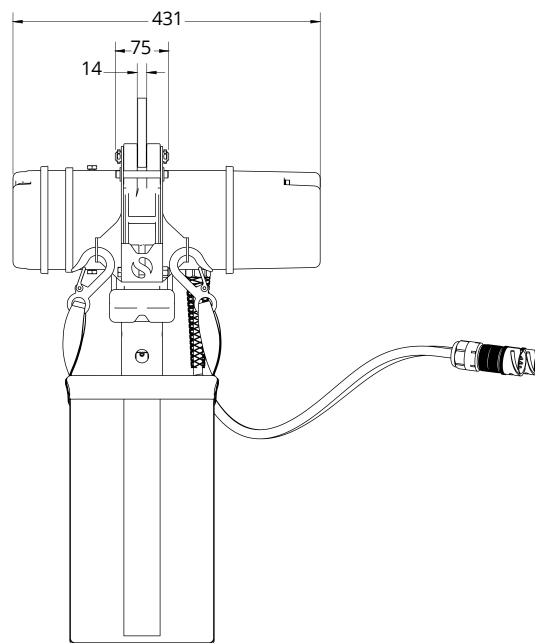
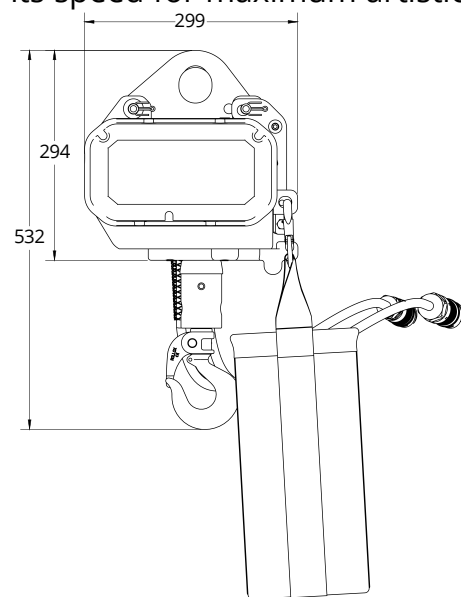
The Tour Lift GF 1000 kg is the ultimate variable speed hoist acclaimed for its innovative features and its incredibly flexible handling. The two independent brakes and patented overload system that protects the drive and chain make it the most reliable variable speed hoist on the market.

The Tour Lift GF 1000 kg comes with an external box allowing variable speed ranging from 4 ft/min to 32 ft/min. Its smooth start and stop as well as its very quiet operation make it the ideal choice for tours as well as permanent installations like theaters, museums, TV studios and auditoriums. Easy to install, simple to configure and with an ergonomic and compact design, the Tour Lift GF 1000 kg has the ability to ramp start, ramp stop, position and vary its speed for maximum artistic effect.

The Standard configuration comes with:

FEATURES

- Capacity Capacity 1000 kg (2200 lbs)
- Accurate up to 0.1 mm
- Suspension plate
- Very quiet operation
- Smooth 5 pocket sprocket chain wheel
- Vector controlled acceleration and deceleration
- Dual brake and incremental encoder for safety and precision
- Fully integrated backup system bypassing the controller
- External control box with integrated HMI
- Compatible with BGV D8, BGV D8+ and BGV C1 standards
- Chain size: 7 mm X 22 mm
- Sold with Drive Brox MK4



Certified

