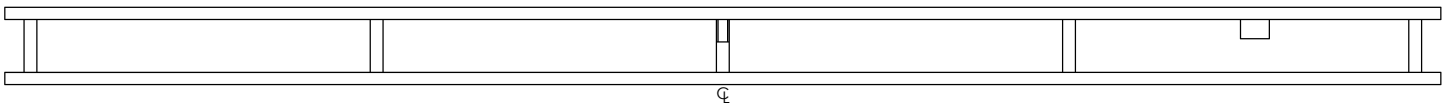


TRUSS PIPE BATTEN

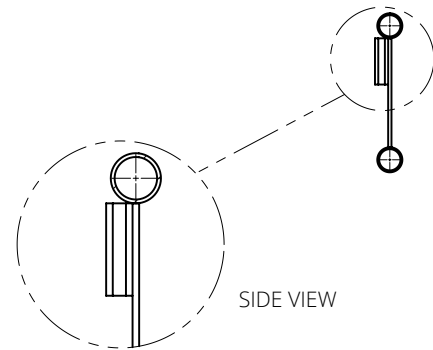
Ladder Truss

The Ladder Truss provides a firm batten assembly as opposed to the standard single batten. This rigidity facilitates a higher load capacity per foot, larger spans between lift lines, and the opportunity to dress cables to the top chord. This keeps the bottom chord available for lighting, audio, and scenery. Verticals are available either in flat bar or pipe and are configurable.

Sections are joined to create complete battens using our standard internal splices and mechanical fasteners.



TYPICAL: CUSTOM FABRICATED ACCORDING TO PROJECT REQUIREMENTS



The Standard configuration comes with:

FEATURES

- 1 ½" Sch 40 pipe standard.
- Sections up to 24' long.
- Sections can be spliced together for longer battens.
- Batten extensions available.
- Painted black.
- Footage markings available.

Manufactured by:

JOEL