

CHAIN BAGS

MAX OF 30 METERS OF 7 X 22MM CHAINS



RIGGING ACCESSORIES

CHAIN BAG MEDIUM

16.5"

SHOWSDT CHAIN BAG VCSBD2458-16.5

The medium size **SHOWSDT** 16.5" chain bag, generally used for chains between 5mm and 8mm.

At the bottom, the two straps crisscross to maximize loading capacity and prevent the bottom from falling through, even with very long chains.

The chain bag has a plastic bottom plate with drainage holes and it is supplied with snap hooks.

TECHNICAL DATA

BELT

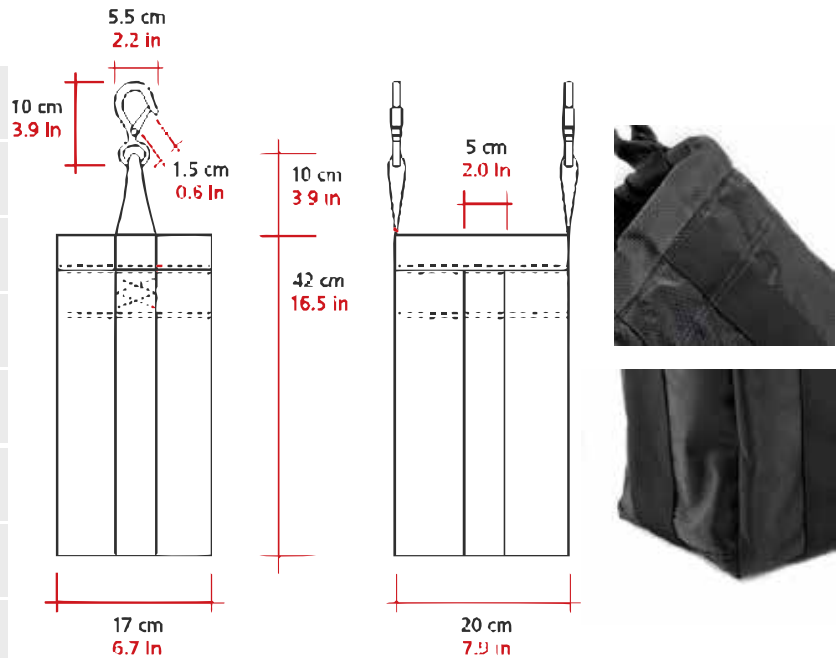
- Polypropylene 5cm belt
- 25-27% elongation value
- 240 filaments
- 1100 kg Minimum Breaking Point
- 175 ° Celsius melting point

FABRIC

- 840 Nylon PVC Coated
- 28-31% elongation value
- Test UNI ISO 13934-1:200
- N 502 medium breaking load value
- Test UNI 4818:1992 p.te 9

MEASUREMENTS

- Opening: 17x20 cm
- Length: 42 cm
- SWL: 120 kg - 265 lbs
- Weight: 0.97 Kg / Volume: 18x21x7cm



CAPACITY

- 10 x 28 load chain:
 - 8m @ 50% | 12m (39ft) @ 75% | 16m @ 100%
- 7.9 x 21.7 load chain:
 - 17m @ 50% | 26m (85ft) @ 75% | 35m @ 100%
- 7 x 22 load chain:
 - 20m @ 50% | 31m (102ft) @ 75% | 40m @ 100%
- 6.3 x 18.9 load chain:
 - 24m @ 50% | 36m (118ft) @ 75% | 48m @ 100%