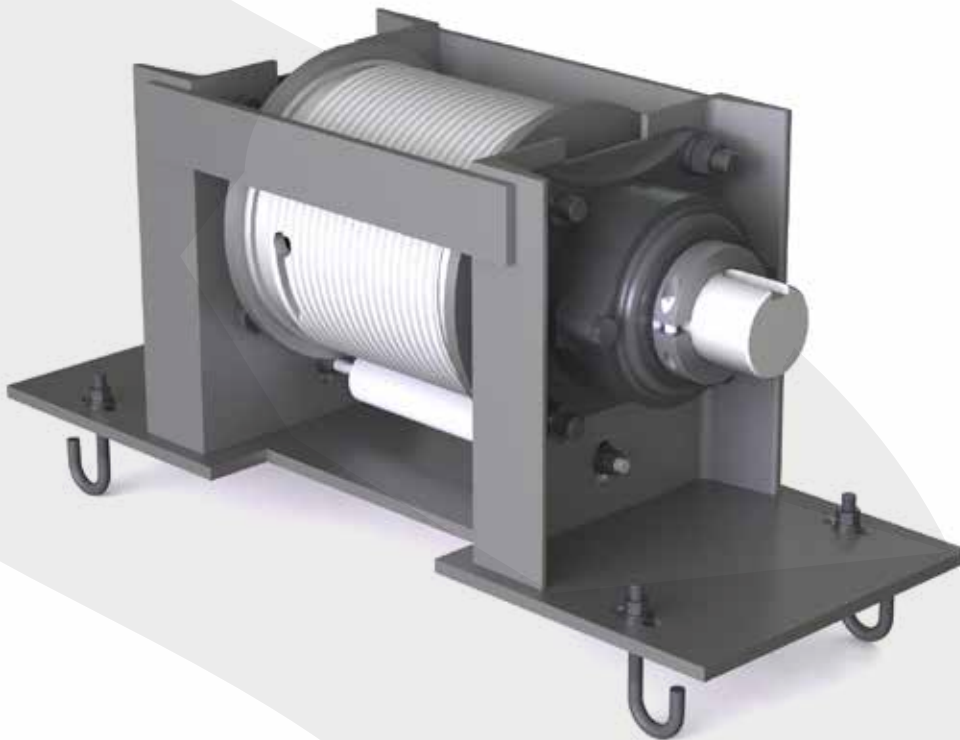


# HELICAL DRUM BLOCK

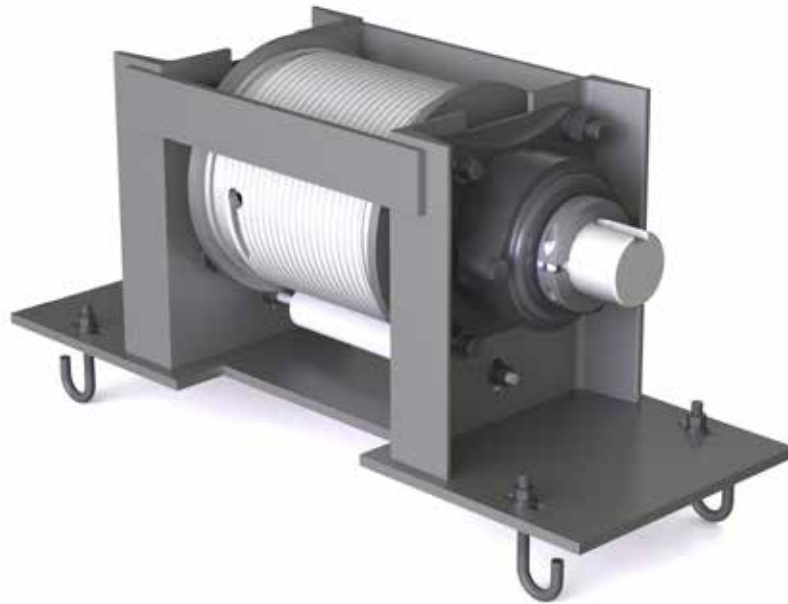


# HELICAL DRUM BLOCK

## LINE SHAFT HOIST COMPENENT

JOEL Rigging's motorized helical drum hoists can be adapted to the rope diameter and stroke system required.

They are designed to be integrated into a complete driveshaft lifting system.



The Standard configuration comes with:

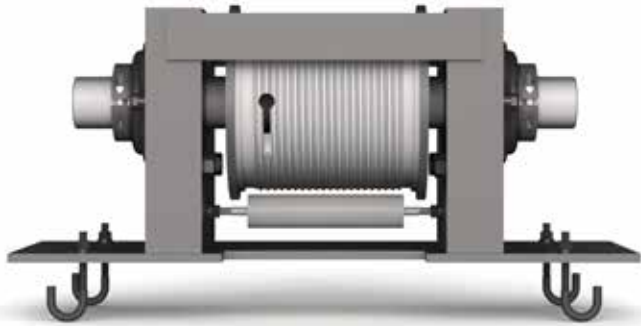
### FEATURES

- Painted Black
- Available with right and left hand
- Available for 3/16" - 3/4" cable
- Can be installed upright or underhung

Manufactured by:



# HELICAL DRUM BLOCK



FRONT VIEW



TOP VIEW



RIGHT SIDE VIEW

Manufactured by:

