

TOUR RIG 2500 kg

CHAIN HOIST



CHAIN HOIST

TOUR RIG 2500 kg

FIXED SPEED SERIES

The TOUR RIG 2500 kg is the lightest and safest hoist in the industry. Standard features like contactor control, overload protection system, 4 channel gear internal limit switch, hook suspension and double brakes will turn your TOUR RIG 2500 kg into your most essential piece of rigging equipment. And options like positioning encoders, eye plate will give you versatility and value for your money.

The TOUR RIG 2500 kg can also be configured in double reeved to reach a capacity of 5000 kg, unleashing twice the lifting capacity at half the speed. Fast and easy set-up.

The Standard configuration comes with:

FEATURES

- Speed range 16 ft/min
- Capacity 2500 kg (5500 lbs) (5000 kg (11000 lbs) in Double Reeved format)
- Jam free plate
- Very quiet operation
- 5 pocket chain wheel for smooth operation
- Lightweight aluminium body
- Friction clutch for overload protection
- Chain size 11 X 31 mm
- Protection IP44
- Road case available



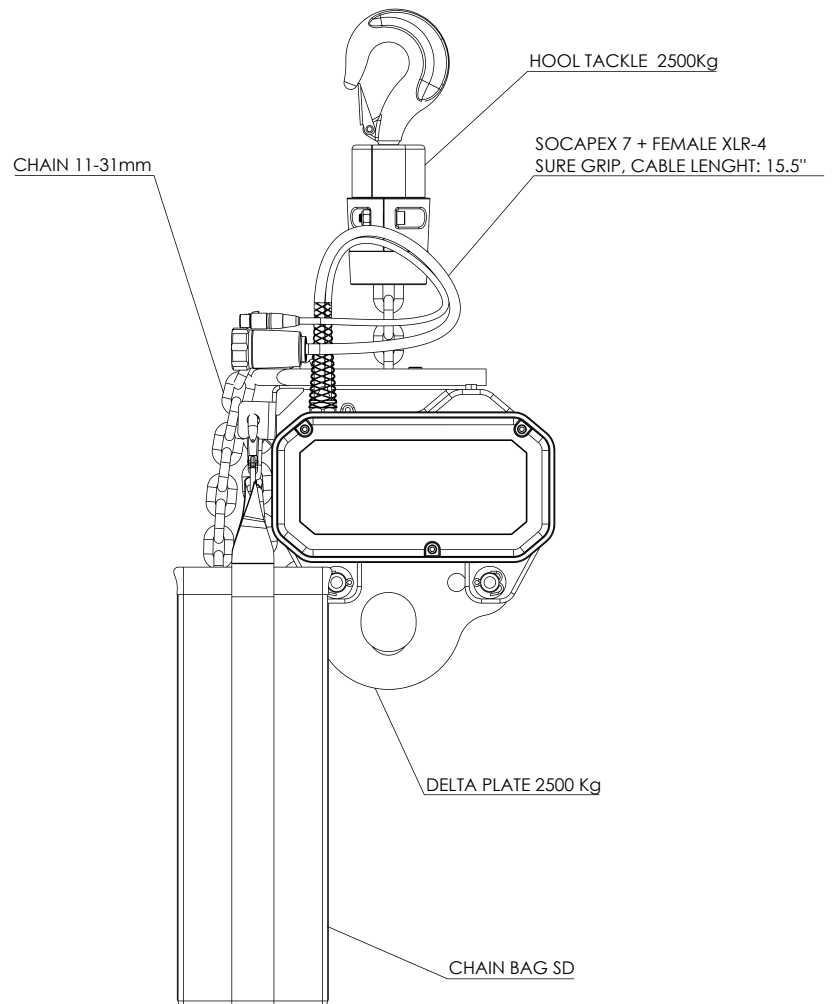
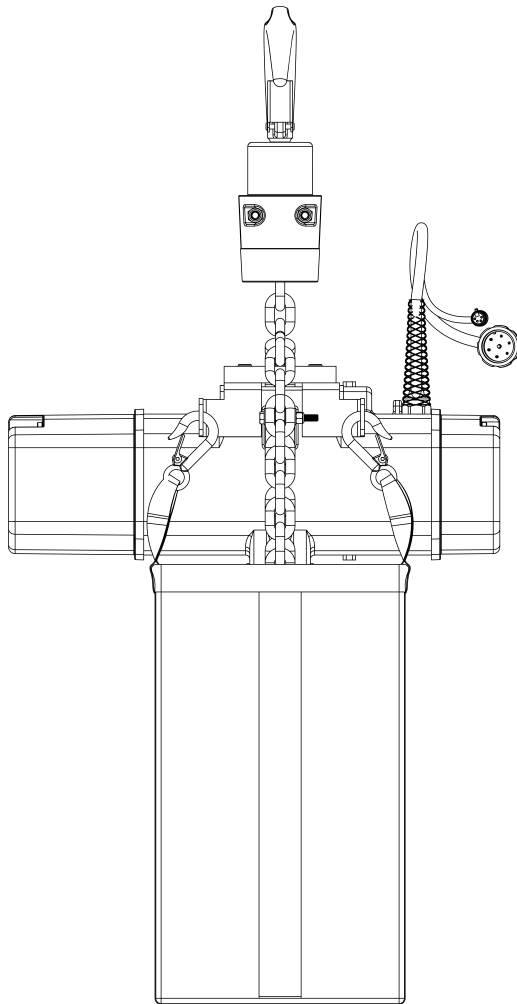
FRONT



BACK

CHAIN HOIST

TOUR RIG 2500 kg



TECHNICAL DATA

● Hoist Model N°	SB8.2/10U-LV	● Control	24V
● Max Capacity	2500kg	● Motor FLA	8,95A
● Clutch Limit	3300kg	● Chain Size	11x31mm
● Hoist Position	UP/DOWN	● Chain Type	Black/Zinc
● Motor kW/HP	2,2kW	● Chain weight/ft	1.82 Lbs
● Motor Voltage	208V, 3Ph	● Hoist Body Weight	165 lbs

Certified

