

TOUR RIG 6300 kg

CHAIN HOIST



CHAIN HOIST

TOUR RIG 6300 kg

FIXED SPEED SERIES: LOW VOLTAGE

This oversized hoist is used to move super grids or mega structures. With a 6 ton lifting capacity, the TOUR RIG 6300 kg operates on low voltage mode and can be used motor up or motor down. It replaces pods when many hoists are needed for a particular load point. It creates better stability and makes it easier to move large objects by balancing the grid. Standard features include overload protection system, double brakes, and hook suspension. Other options include integrated load cell, 4 channel gear limit switch (external or internal), positioning encoders and one-hole or two holes suspension eye plate.

The TOUR RIG 6300 kg can also be configured in double reeved. Fast and easy set-up.

The Standard configuration comes with:

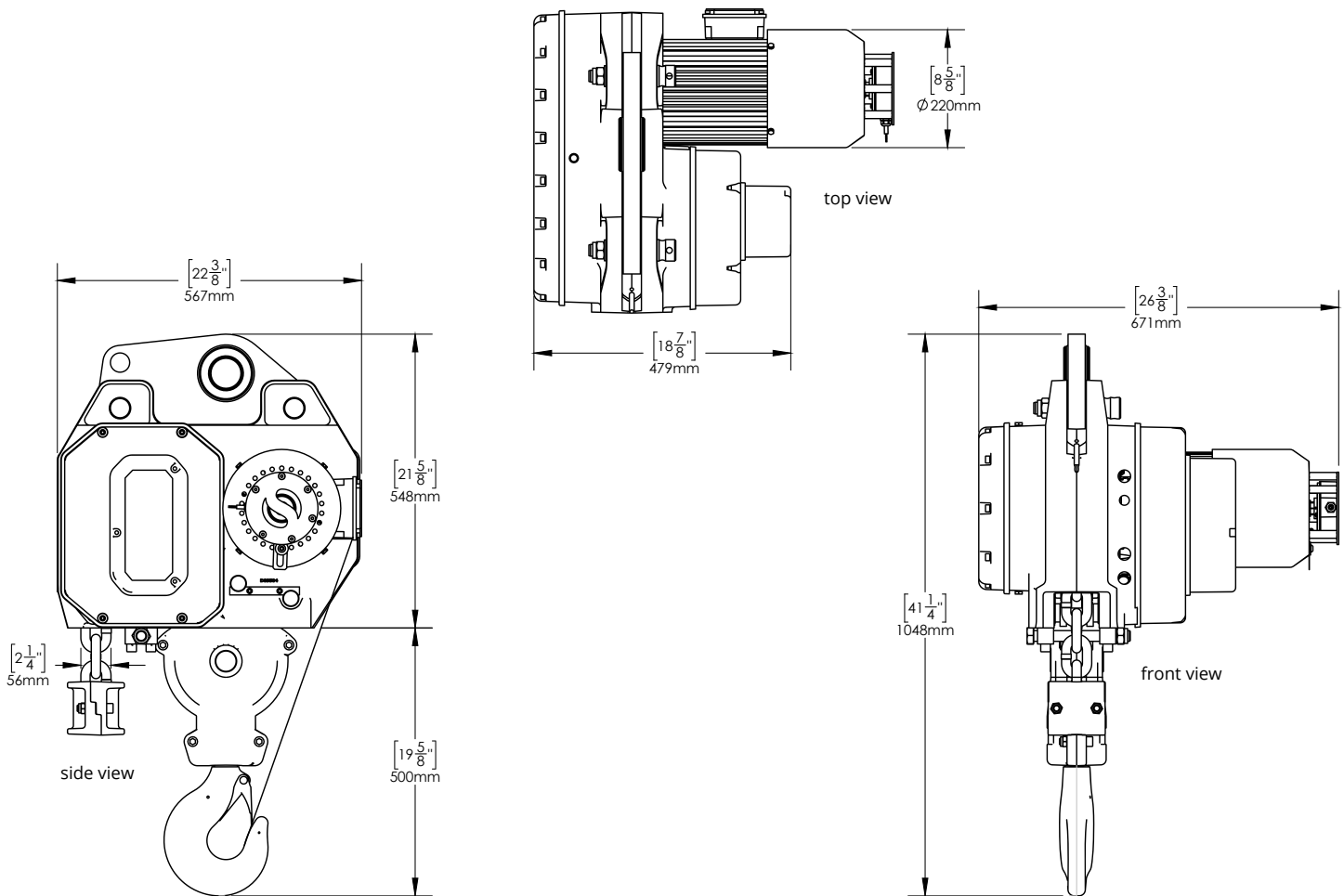
FEATURES

- Speed 11ft/min and 22 ft/min
- Capacity 6300 kg
- Jam free plate
- 5 pocket chain wheel for smooth operation
- Lightweight aluminium body
- Friction clutch for overload protection
- Chain size 16 X 45 mm
- Chain weight 3.82 lbs/ft
- Protection IP44
- Total weight with 82 ft chain and chain bag: 762 lbs



CHAIN HOIST

TOUR RIG 6300 kg



TECHNICAL DATA

● Hoist Model N°	SB13/10X	● Control	Low Voltage
● Max Capacity	6300kg	● Motor FLA	26.09/15A
● Clutch Limit	8800kg	● Chain Size	16x45 mm
● Hoist Position	UP/DOWN	● Chain Type	Black/Zinc
● Motor kW/HP	0,37kW	● Chain weight/ft	3.82 lbs
● Motor Voltage	208V/400	● Hoist Body Weight	457 lbs

Certified

