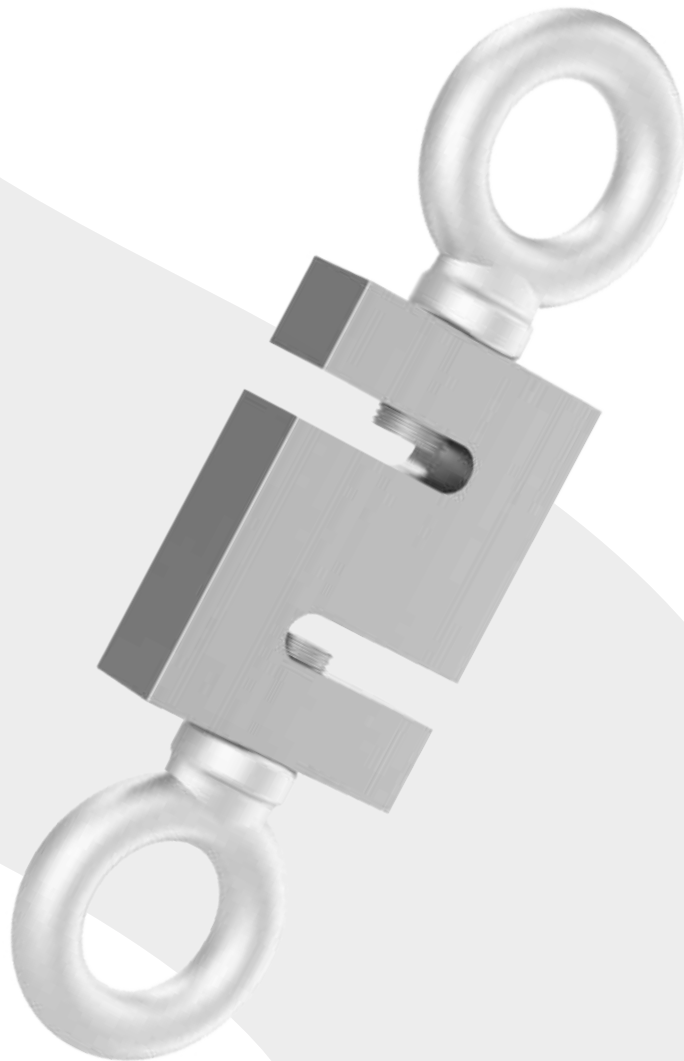


S-TYPE

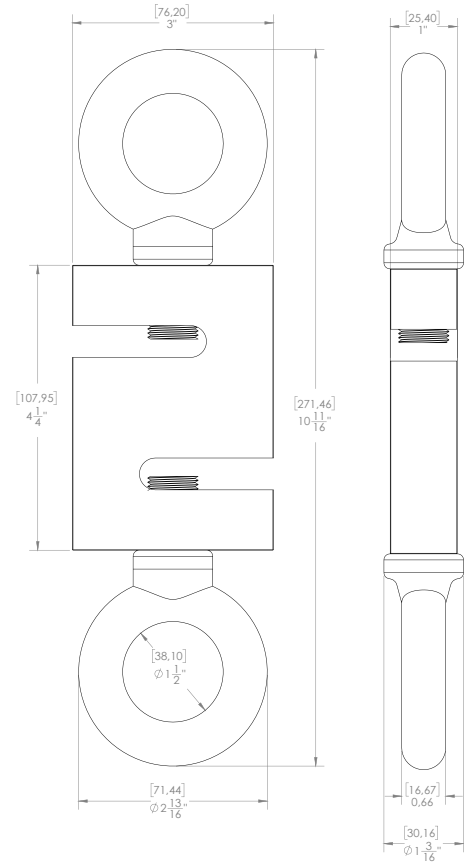
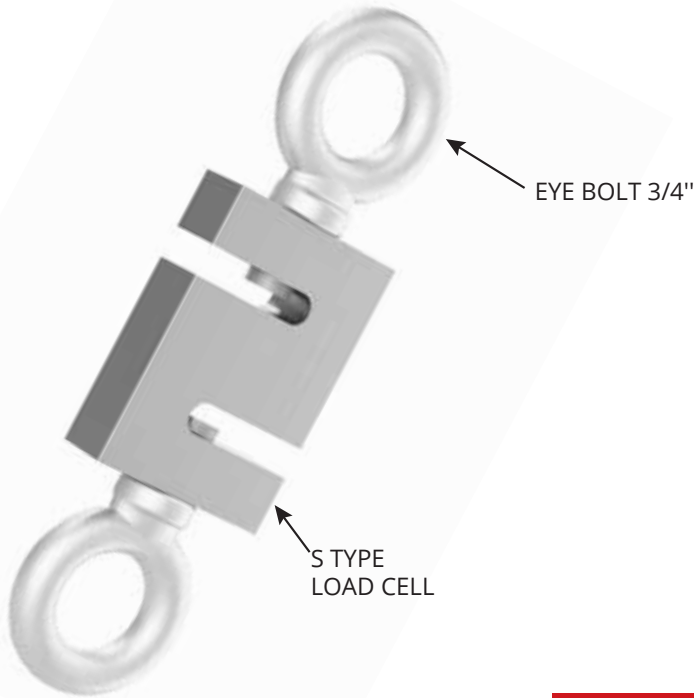
LOAD MONITORING



LOAD MONITORING

S TYPE

S-Type load cells are low-cost and high performance side mounted load cells suitable for a number of weight and general force measurement applications.



The Standard configuration comes with:

FEATURES

- 10 000 lbs. Capacity
- Male XLR-4 connector
- 0.02% Accuracy Class - NTEP Grade
- Application Versatility
- Steel Element
- IP67 Environmental Sealing
- Output Matched for Single or Multiple Load Cell
- One Year Warranty

TECHNICAL DATA

• Recommended Peak	10V DC/AC
• Maximum Peak	20V DC/AC
• Insulation Resistance	5,000 Meg-Ohms
• Operating Temperature Range	-40°C to 80°C
• Output	2.9925 mV/V

PERFORMANCE

RATED CAPACITIES	10 000 LBS
RATED OUTPUT (FSO ¹)	3.0 MVN
OUTPUT TOLERANCE	± 0.25 % R.O.
COMBINED ERROR BAND	≤ 0.03 % FSO ¹
NON-LINEARITY	≤ 0.03 % FSO ¹
HYSTERESIS	≤ 0.03 % FSO ¹
NON-REPEATABILITY	≤ 0.02 % FSO ¹
ZERO BALANCE	± 1.0 % FSO ¹
CREEP (20 MINUTES)	0.03 % OF LOAD

¹ : FSO= FULL SCALE OUTPUT