

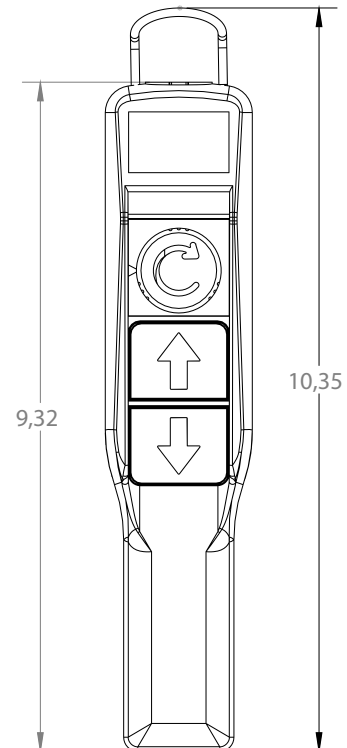
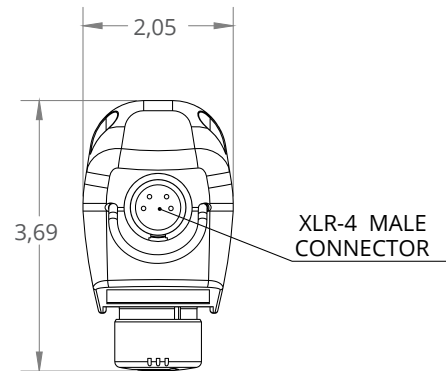
# PICKLE-XLR-4

PENDANT



# PENDANT PICKLE-XLR-4

The Pickle Low Voltage Pendants feature a compact, ergonomic design with the operator's comfort in mind. They are available with 1 speed button. It is equipped with internal XLR-4 connector.



The Standard configuration comes with:

## FEATURES

- Integrated E-Stop Button
- 4-Pin XLR-4 Socket Output
- Rated 24V Push Buttons
- IP44 rated enclosure

DIMENSIONS ARE IN INCHES

Certified

