

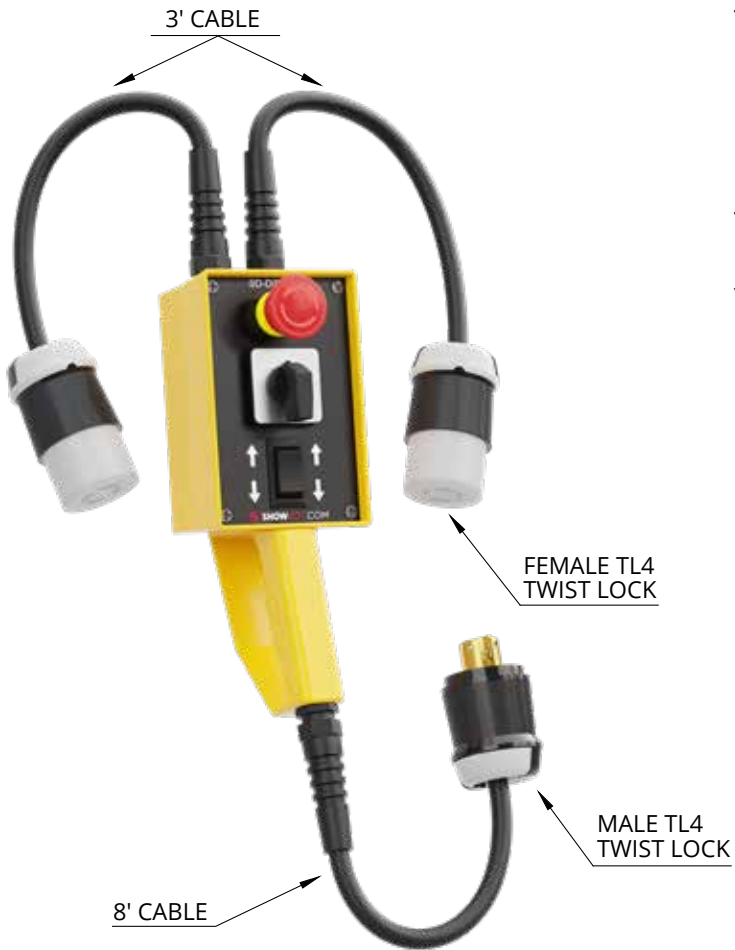
# VSD-DID-TL4

PENDANT



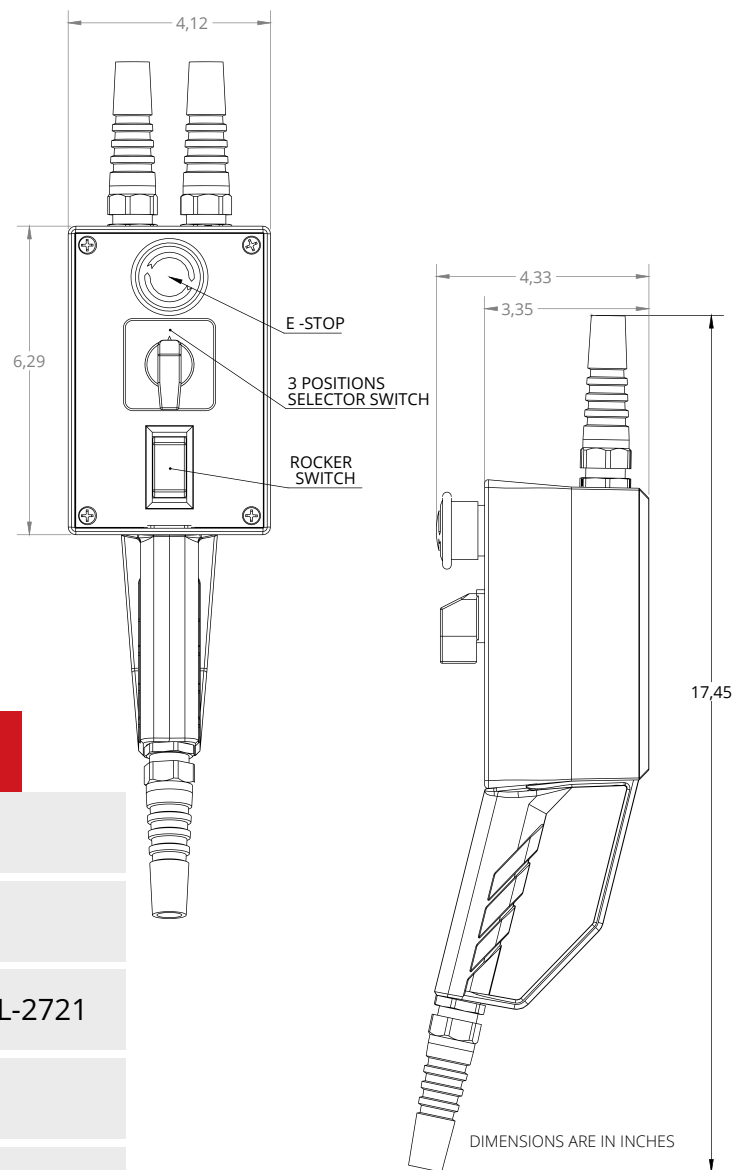
# PENDANT CONTROL 2 CHANNEL

## VSD-DID-TL4



The VSD-DID-TL4 Pendant Control offers the possibility to select one motor or two motors simultaneously. The pendant is powered by a disconnect 30 amp eliminating the need for an external hoist controller.

This special dual pickle for direct control hoist is easy to operate, capable of responding to a wide variety of demands and one hundred percent safe and reliable in the implementation of runs and movements.



The Standard configuration comes with:

### FEATURES

- Integrated E-Stop Button
- 8' input cable
- Power Input Connector, 120/208V 3Ph, TL4-30A - HBL-2721
- 2 x 3' output cable
- Power Output Connector, 2x TL4-20A - HBL-2423

Certified

