

VSD-PRC-8-V25

PENDANT



PENDANT CONTROL 8 CHANNEL

VSD-PRC-8-V25

2 HANDLES HEAVY DUTY ENCLOSURE

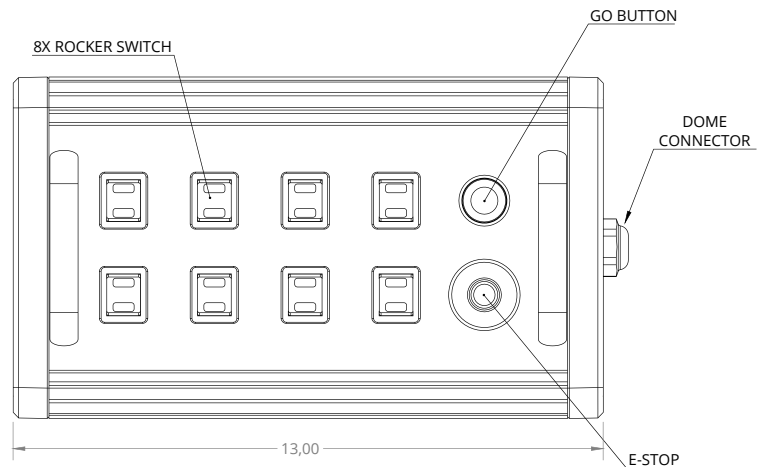
OUTPUT: TAJIMI
21-PUSH PULL
OPTIONAL : VEAM 25

3' OUTPUT CABLE



The Pendant Control 8 Channel is the operator interface for chain hoist control systems that connect via a Tajimi or Veam connector. Designed around robust polyamide, polyester enclosures and aluminum face plates, this is an ergonomic design with handle.

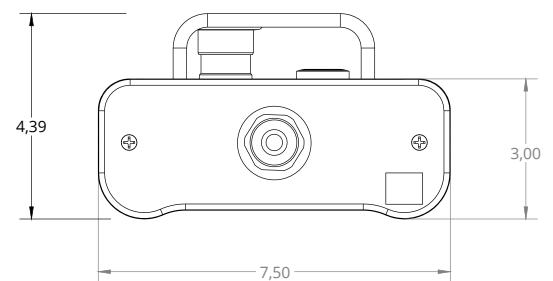
The E-STOP protects the operation from undesired operation, the GO green button turns the selected channels of Hoist Control system ON and the DIRECTION SWITCHES allow changing the direction of movement for each motor/hoist separately or in groups.



The Standard configuration comes with:

FEATURES

- Integrated E-Stop Button
- 3' input cable
- Tajimi or Veam Connector Output
- Up/Down Rocker Switch 24V Red and Green
- Go push buttons
- IP44 rated enclosure
- Handles



DIMENSIONS ARE IN INCHES

Certified

