

VSD-DIS-50

POWER DISTRIBUTION

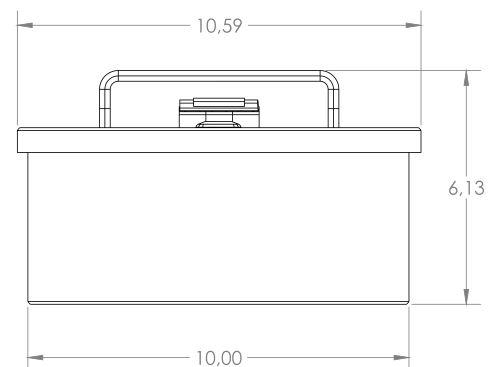
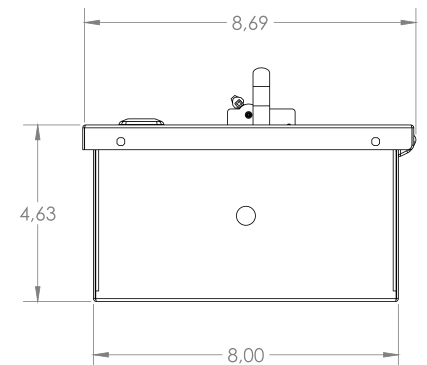
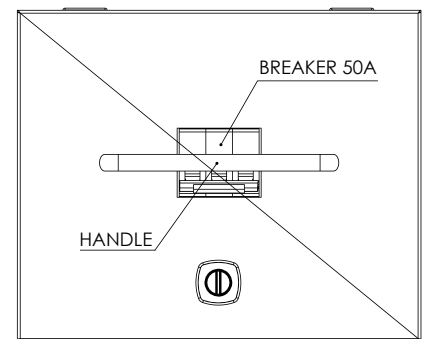


POWER DISTRIBUTION DISCONNECT VSD-DIS-50

This main Power Disconnect can accommodate One 50A breaker.

Compact design for hand-friendly gripping. Listed to CSA Standards for Portable Power Distribution.

Ideal for Touring, the VSD-DIS-50 is built to withstand the day to day rigors of life on the road and will protect your equipment against voltage fluctuations.



DIMENSIONS ARE IN INCHES

The Standard configuration comes with:

FEATURES

- 10' Cam-Lok™ Single Pole Connector Input
- 1x TL4 50A Female Output, HBL-8364 CS
- 1x 50A Breaker
- Dimensions: 8.75" x 4.75" x 3.75" (220mm X 120 mm X 95 mm)
- **Weight:** 24lbs

Certified

