

# VSD-DIS-60

## POWER DISTRIBUTION

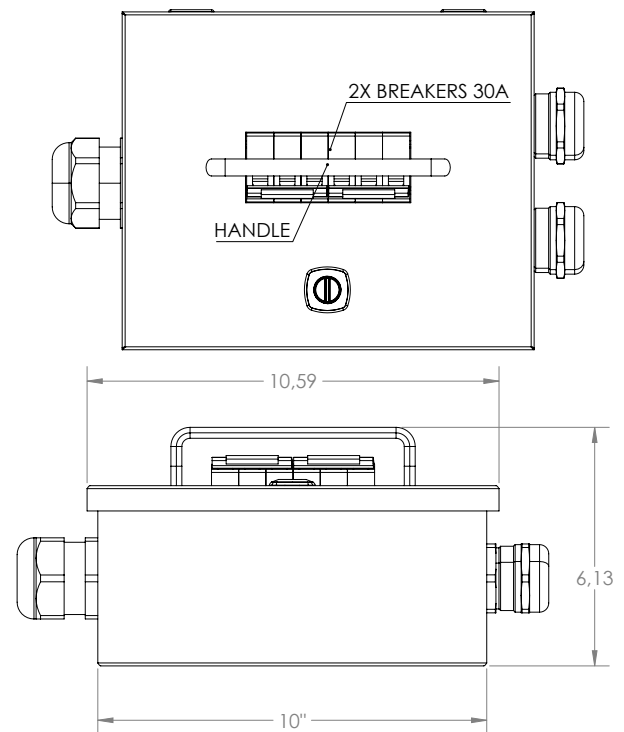


# POWER DISTRIBUTION DISCONNECT VSD-DIS-60

This main Power Disconnect can accommodate Two 30A breakers.

Compact design for hand-friendly gripping. Listed to CSA Standards for Portable Power Distribution.

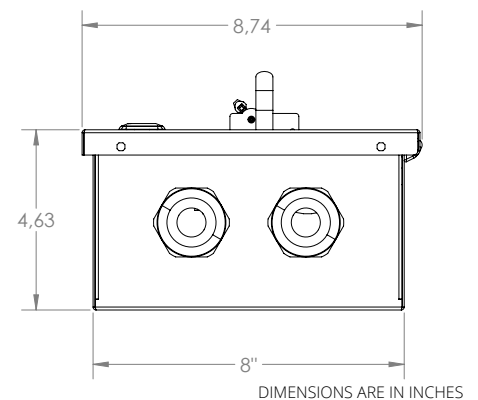
Ideal for Touring, the VSD-DIS-60 is built to withstand the day to day rigors of life on the road and will protect your equipment against voltage fluctuations.



The Standard configuration comes with:

## FEATURES

- 10' Cam-Lok™ single pole connector input
- 2x TL4 30A Female Output, HBL-2723
- 2x 30A Breakers
- Dimensions: 8.75" x 4.75" x 3.75" (220mm X 120 mm X 95 mm)
- **Weight:** 36lbs



Certified

