

EL PRESIDENTE

STAGE RISERS



SHOWSDT
Scene Design & Technology

STAGE RISER EL PRESIDENTE

SHOWSDT's El Presidente risers is designed for indoor use and has a load capacity of 100 Lbs per square foot. Its lightweight, elegant design is appreciated at many events.

With its new aluminum extrusion concept, it can be used to secure a multitude of accessories or decorations using "unistrut" bolts.

This model can come with six square aluminum brackets, ensuring great stability. Configuration options are available. Accessories are also available. (Stairs, leveling pads, ramps, carts, railings, stage skirts, chair bumpers, wheel adapters, etc.).

ADVANTAGES:

Flexibility: The stage risers are held together with a Dual Lock fastening system to create a uniform surface. Installation is made easy by using a single hexagonal key to tighten the legs and connect the Dual Lock connectors.

Space saver: Each unit is only 3 inches thick (75 mm) allowing for easy storage in tight spaces. Maximize your storage space with our easy to handle transport and storage trolley.

Durability: Should a Dual Lock fastener, a leg mounting bracket or even an extruded section become damaged, any element can be unbolted from the platform and replaced with a new part without having to change the whole unit.

Modulability: The configuration possibilities are almost limitless. El Presidente can adapt to all your configuration needs.

Reliability: The simple and solid concept of the El Presidente stage riser is covered by a first rate one-year warranty against manufacturing defects.

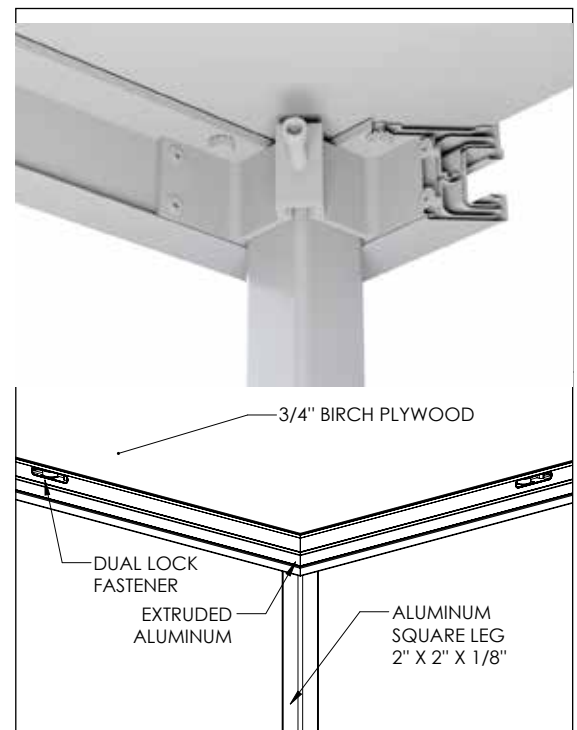
The Standard configuration comes with:

FEATURES

- Extruded aluminum alloy 6061-T6
- 3/4" (18 mm) birch plywood
- Can support a load of 100 lbs/sq ft
- Made in Canada in our workshops

Options :

- Custom-made: We can manufacture products of many shapes and sizes.
- Surface can be fireproofed for extra safety.
- Many finishes and colours available upon request.



Dual Lock



STAGE RISER EL PRESIDENTE

STANDARD UNIT WEIGHTS AND SIZES

● 2' X 4'	0,61 m X 1,22 m	43,5 lb / 19,8 kg	● 4' X 4'	1,22 m X 1,22 m	69lb / 31,2kg
● 2' X 8'	0,61 m X 2,44 m	81 lb / 36,75 kg	● 4' X 6'	1,22 m X 1,83 m	94lb / 42,6kg
● 3' X 8'	0,92 m X 2,44 m	107lb / 48,5kg	● 4' X 8'	1,22 m X 2,44 m	120lb / 54,4kg

Note: Custom-made sizes available on request.

ACCESSORIES



An assortment of accessories is also available:

Stairs, ramps, trolleys, spiders, guardrails, stage skirts, chair bumpers, wheel adapters, etc.

